



# ODISHA RENEWABLE ENERGY DEVELOPMENT AGENCY

(Under Science & Technology Department, Government of Odisha)

S-59, Mancheswar Industrial Estate, Bhubaneswar-751010

Ph: 91-674-2588260, Fax: 2586368

Web site: [www.oredaorissa.com](http://www.oredaorissa.com) E-mail: ceoreda@oredaorissa.com

Letter No. 3637/OREDA

Dt. 20.09.2018

## Corrigendum to the E-Tender call Notice No. 3370/OREDA Dt. 31.08.2018 invited for Design, engineering, supply, testing & commissioning of solar PV Standalone systems under SAUBHAGYA in 272 villages

### Revised Time Schedule

Date of Hoisting of the bid document on Website	31.08.2018
Date & time of pre-bid meeting	04.09.2018 on 03:00 AM at OREDA Conference hall
Hoisting date of corrigendum	22.09.2018
Date and time of last submission of online bid document	29.09.2018 up to 1.00 P.M.
Date and time of last submission of hard copy of bid document	29.09.2018 up to 3.00 P.M.
Opening of Techno-Commercial bid	29.09.2018 at 4.00 P.M.
Date of opening of the price bid	To be informed to the technically qualified bidders.

**The following changes are made in the tender notice against the following items**

<b>S/N</b>	<b>Reference</b>	<b>Page No.</b>	<b>Previously mentioned</b>	<b>Read as/Amendment</b>
1	Point 1.02.3.	42	Minimum Average Annual Turnover (MAAT) for best three years out of last five financial years of the bidder should not be less than Rs. 14.56 crore. i.e. 30% of the estimated cost of the project.	Minimum Average Annual Turnover (MAAT) for best three years out of last five financial years of the bidder should not be less than Rs. 10.5 crore. i.e. 30% of the estimated cost of the project.
2	Point 1.02.4.	42	Bidder shall have liquid assets (LA) and/ or evidence of access to or availability of fund based credit facilities of not less than Rs 100 Lakhs i.e. 10% of the estimated cost of the project and the Banker should confirm that the Credit facility is earmarked for the Work specified under Bid on receipt of the Bid.	Bidder shall have liquid assets (LA) and/ or evidence of access to or availability of fund based credit facilities of not less than Rs 350 Lakhs i.e. 10% of the estimated cost of the project and the Banker should confirm that the Credit facility is earmarked for the Work specified under Bid on receipt of the Bid.
3	Bid security in INR	6, 38		35,00,000/- to be paid either in shape of DD drawn in favour Chief Executive, OREDA payable at Bhubaneswar or BG in the prescribed format.
4	Technical Drawing	13		<b>The Technical drawing is annexed as Annexure A</b>

5	Battery	245, 246	<p>Following two type of batteries are acceptable.</p> <p>a) 48 V, 22 Ahr (App. 1000 Watt-Hour) Lithium Ferro phosphate - 90% DoD <b>(or)</b></p> <p>b) 48 V, 42 A-hr, (Appr. 2000 watt-hour) with Lead-Acid Sealed maintenance free VRLA 50% DoD,</p> <p>Adequate protection to be provided for battery reverse polarity for Lithium Ferro phosphate as well as VRLA batteries. The battery should be installed at safe location inside the home of households and should be placed inside suitable battery enclosure with battery stand. The self-discharge should not be more than 3% per month with operating temperature of - 5 °C to 55°C.</p> <p>Charge controller should have following control on loads: <b>(Applicable when battery is Lead Acid)</b></p> <p>a. Tube and fan circuit – should operate till battery is 70% charged. b. W-LED Lamp circuits – should operate till battery is 70% charged. c. Only single emergency lamp circuit should remain active when battery charging is between 70% and 50%. d. When battery drains more than 50%, all lamps, tube light, fan etc. shall turn off.</p>
---	---------	-------------	--

				Charge controller should have following control on loads: <b>(Applicable when battery is Lithium Ferro-phosphate)</b> a. Tube and fan circuit – should operate till battery is 30% charged. b. W-LED Lamp circuits – should operate till battery is 30% charged. c. Only single emergency lamp circuit should remain active when battery charging is between 30% and 10%. d. When battery drains more than 10%, all lamps, tube light, fan etc. shall turn off.
6	Performance Operation Guarantee (POG)	98, 173, 175		The contract shall submit the Performance Operation Guarantee (POG) in form of Bank Guarantee for an amount of 10% of contract amount subject to decision of State Level Steering Committee failing which firms will submit remaining 10%.
7	Test Certificates			Test certificate of individual components i.e. SPV panel, battery, charge controller are required from authorized lab of MNRE, Gol or NABL.
8	Appendix 3: Time Schedule			For RE works in 272 villages in 22 districts the project completion schedule shall be 45 days from effective date of contract.

9	Fees of Keonics			The fees of M/s. Keonics is Rs.5900 including GST
---	-----------------	--	--	---

Format for Price bid is annexed as Annexure B.

-sd/-  
Chief Executive  
OREDA

Memo No. 3638 /OREDA

Dated 20.09.18

Copy forwarded to M/S KEONICS, A Govt. of Karnataka Undertaking, No.29/1, Race course Road, Bangalore- 560 001 to represent in the meeting.

-sd/-  
Chief Executive  
OREDA

Memo No. 3639 /OREDA

Dated 20.09.18

Copy forwarded to the Principal Secretary to Government, S & T Department, Govt. of Odisha, Bhubaneswar for information.

-sd/-  
Chief Executive  
OREDA

Memo No. 3640/OREDA

Dated 20.09.18

Copy forwarded to the Commissioner-cum- Secretary to Government, Energy Department, Govt. of Odisha, Bhubaneswar for information.

-sd/-  
Chief Executive  
OREDA

Memo No. 3641/OREDA

Dated 20.09.18

Copy forwarded to Executive director, Rural Electrification Corporation Ltd., Core-4, Scope Complex, 7, Lodi Road, New Delhi- 110 003 for favour of information and necessary action.

-sd/-  
Chief Executive  
OREDA

Memo No. 3642 / OREDA

Dated 20.09.18

Copy forwarded to The Chief Project Manager , Rural Electrification Corporation Ltd., 5<sup>th</sup> floor, Deen Dayal Bhawan, Ashok Nagar, Janpath, Bhubaneswar- 751 009 for favour of information and necessary action.

-sd/-

Chief Executive  
OREDA

Memo No. 3643 /OREDA

Dated 20.09.18

Copy to the Chairman-cum-Managing Director, Odisha Power Transmission Corporation Ltd. Janpath, Bhubaneswar -751 022 for favour of information and necessary action.

-sd/-

Chief Executive  
OREDA

Memo No. 3644/OREDA

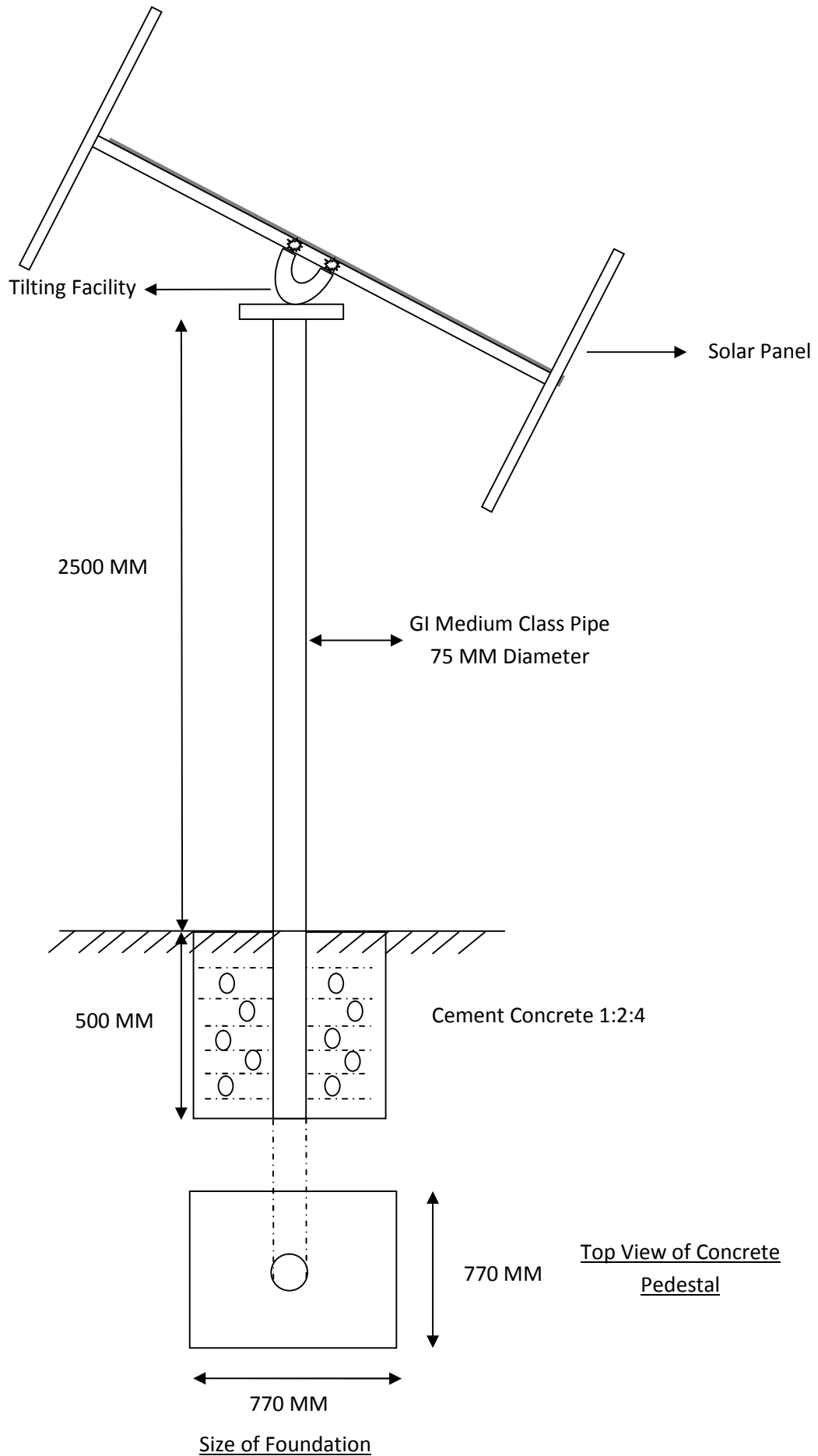
Dated 20.09.18

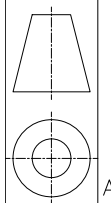
Copy forwarded to the Director (Admin)/All divisional heads/ Notice Board/Website OREDA, Bhubaneswar for information and wide circulation.

-sd/-

Chief Executive  
OREDA

# Installation of Solar Panel for Household Standalone System

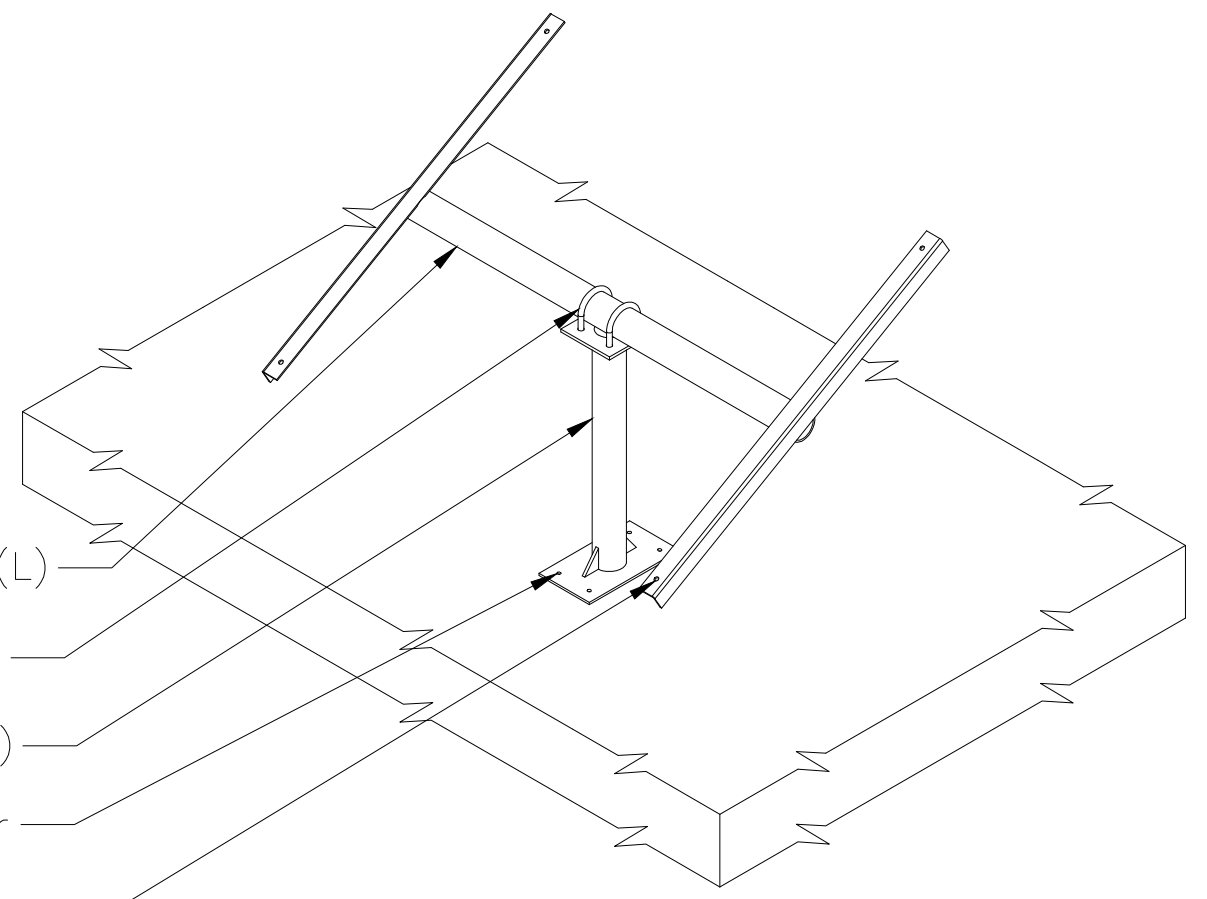
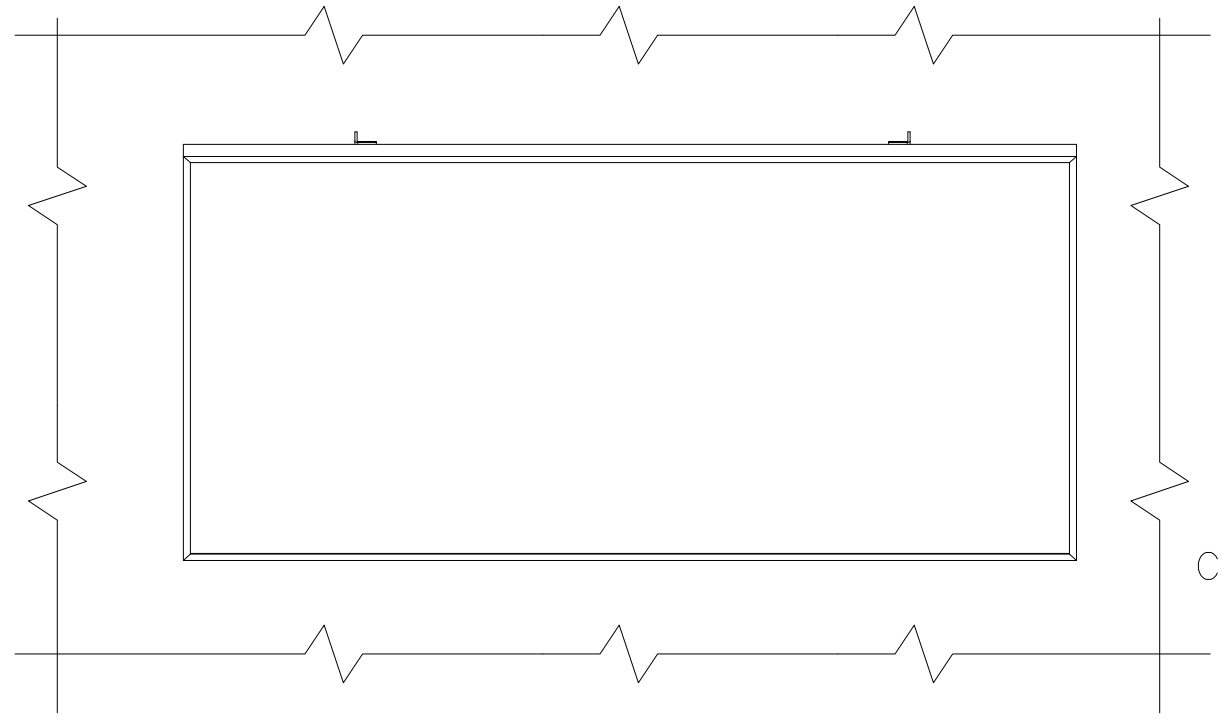
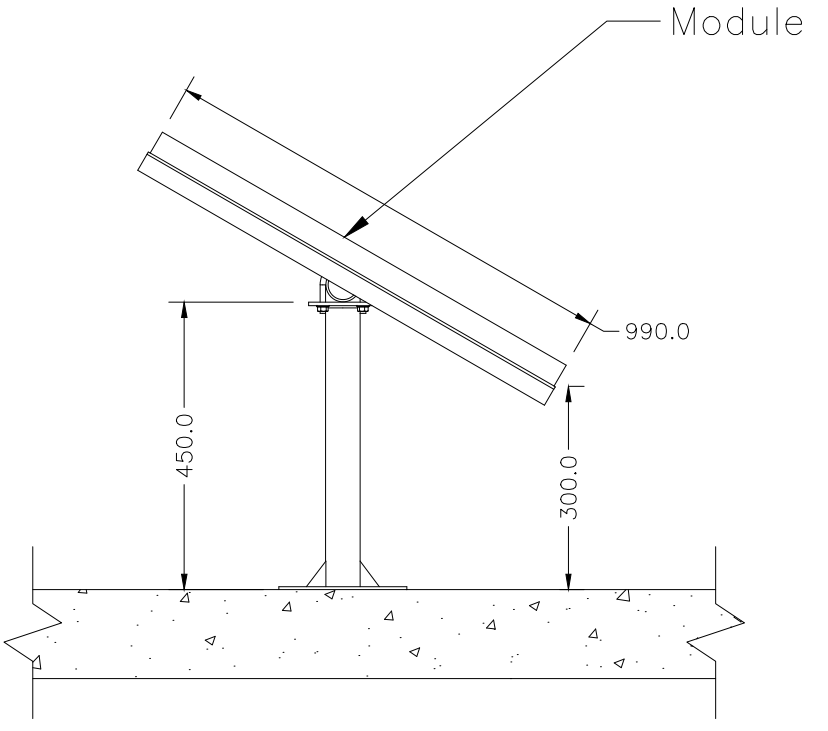
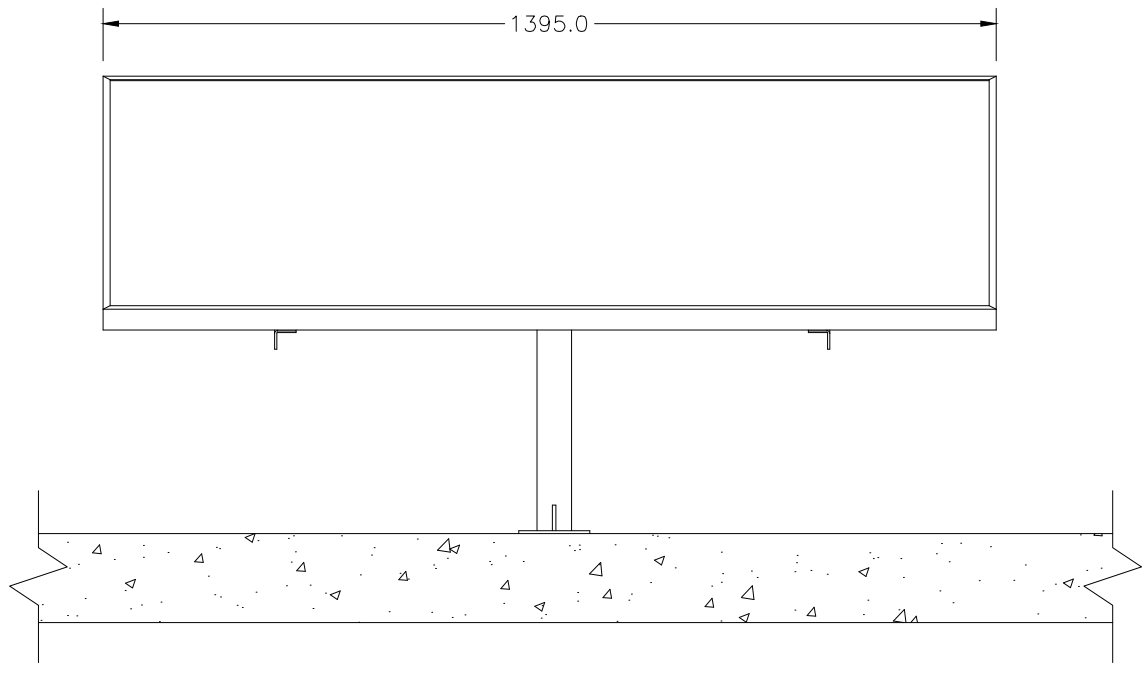




A3

DO NOT SCALE

1395.0



- Cross arm ISNB-50(L)
- 2xM8 U Bolt
- Pedestal ISNB-50(L)
- Anchor Fastener
- ISA 35X35X3

FOR APPROVAL

PROJECT					
TITLE		GROUND MOUNT-SINGLE			
REV.	DATE	DRN.	CHK.	DWG.NO.	OGH GM SINGLE
RA1	. .	MVK	VRR	SCALE	- SHEET 1 OF 1

NOTE  
1. ALL DIMENSIONS ARE IN MM



**FINANCIAL BID**

Tender No. 3370/OREDA Dt. 31.08.2018

**Rural Electrification works in Odisha under SAUBHAGYA - Standalone System**

(Schedule of rates and prices)

Bidder's Name & Address:					
		All prices in Indian Rupees			
Sl. No	Item				
Sr. No.	Description	Qty	price of the system including freight, insurance, etc. excluding GST	GST @ 5%	Total Amount
	<b>Household Standalone System</b>				
<b>1</b>	<b>Material Components</b>				
a	Supply of Solar PV Panels 200 Wp as per State specific approval) as per technical specification, approved drawings and scope of work.	1			
b	Supply of Solar DC charge controller with junction box, single pole & double pole MCBs, AC input option etc as per technical specification, approved drawings and scope of work.	1			
c	Supply of corrosion resistant mounting structure including GI pipe, metallic frame, cross arm, pedestal, anchor fasteners, nuts, bolts, sign board etc as per technical specification, approved drawings and scope of work.	1			
d	Supply of battery bank with battery enclosure and stand of suitable size as per technical specification, approved drawings and scope of work.	1			
e	a) 48 V, 22 Ahr (App. 1000 Watt-Hour) Lithium Ferro phosphate - 90% DoD (or) b) 48 V, 42 A-hr, (Appr. 2000 watt-hour) with Lead-Acid Sealed maintenance free VRLA 50% DoD,	1			
f	Supply of 5 watts W-LED 48 V DC lamp, holder and other mounting accessories as per detailed technical specifications, scope of work	3			
g	Supply of 18 Watts 48 V DC LED tube light fixture with variable illumination features operating with remote controller. Tube light fixture to be supplied with mounting accessories and remote control switch etc as required as per technical specification and scope of the work.	1			
h	Supply of 48 V DC Permanent Magnet Brush Less Direct Current (PM BLDC) 1200mm sweep, white in colour, DC ceiling fan/ pedestral fan, operating with remote control switch and manual switch. Fan to be supplied with mounting accessories and remote control switch etc as required as per technical specification and scope of the work.	1			
<b>2</b>	<b>Description</b>	<b>No.</b>	<b>Cost</b>	<b>GST @ 18%</b>	<b>Total Amount</b>
a	Installation & commissioning of the system (Supply of house wiring as well as system wiring materials including flexible multistrand 2 core copper conductor cables, rigid non-metallic 12 mm dia conduit, mounting accessories, USB Charging point/port, remote control switch & manual switch etc as required as per technical specifications and scope of work including Erection, testing and commissioning of 3 Nos. W-LED lamps (5 W), 1 No. W-LED tube light (18 W) & 1 No. 1200 mm sweep DC ceiling fan (30 W +/- 10 %) with remote control switches, stationary battery bank (for 48V supply), power socket (25 W), USB port, sign board, user instruction manual including Erection, testing & commissioning of Solar PV system containing 48 V Panels, Solar DC charge controller, mounting Structure with foundation, hardware etc as per technical specification, approved drawings and scope of work) including 5 years comprehensive maintenance contract (CMC) charge	1 set			
11	<b>GRAND TOTAL (1 + 2)</b>				